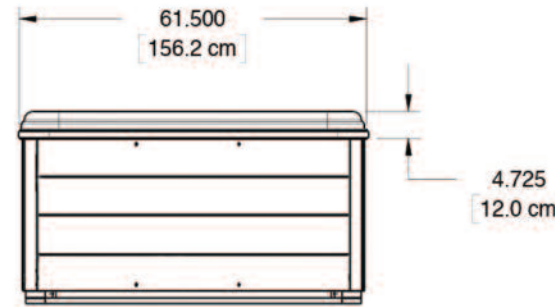
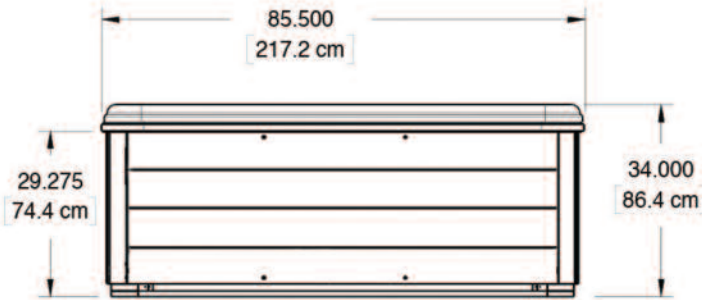


| REVISIONS |     |             |      |          |
|-----------|-----|-------------|------|----------|
| ZONE      | REV | DESCRIPTION | DATE | APPROVED |
|           |     |             |      |          |



**Seat depths:**

- 1 20" (50.8 cm)
- 2 20" (50.8 cm)
- 3 16" (40.6 cm)
- 4 20" (50.8 cm)



**KEY**

○ - Drain Location

X - Stub Location

■ - Pack Placement

**Stub Location:** 11" (28 cm) left of edge &  
5" (12.7 cm) from edge pack is on

**Aurora P, PSL & 3 Spas**

|                  |          |         |     |
|------------------|----------|---------|-----|
| SIZE<br><b>A</b> | FSCM NO. | DWG NO. | REV |
| SHEET            |          |         |     |