



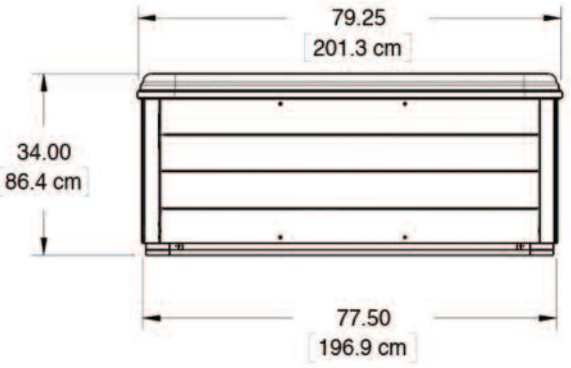
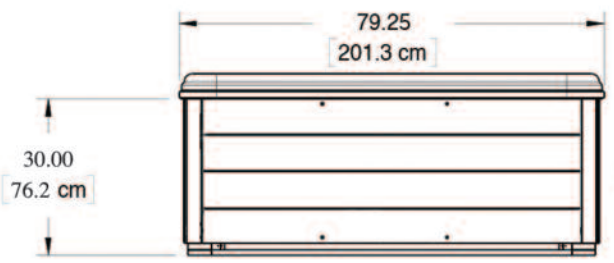
REVISIONS

ZONE	REV	DESCRIPTION	DATE	APPROVED
------	-----	-------------	------	----------



Seat depths:

- 1 20.5" (52.1 cm)
- 2 17.5" (44.5 cm)
- 3 20.5" (52.1 cm)
- 4 17.5" (44.5 cm)
- 5 20.5" (52.1 cm)
- 6 16.5" (41.9 cm)
- 7 23" (58.4 cm)
- 8 17" (43.8 cm)



KEY

- Drain Location
- Stub Location
- Pack Placement

Stub Location: 26" (66 cm) left of edge &
5" (12.7 cm) from edge pack is on

Royale, P, PSL, ETS Spas

SIZE A	FSCM NO.	DWG NO.	REV
SHEET			